

## STAINLESS STEEL WORKTABLES

### TCF1-SERIES— WORKTABLE W/ BACKSPLASH, UNDERSHELF & CASTERS

PROJECT#: \_\_\_\_\_

ITEM# \_\_\_\_\_

MODEL# \_\_\_\_\_

#### SPECIFICATIONS:

##### ECONOMY— ETCF1-Series: 400 Series Stainless Top & 400 Series Stainless Undershelf

**TOP:** 16 GA.  
400 Series Stainless

**SHELF:** 18 GA.  
400 Series Stainless

**LEGS:** 1 5/8" Diameter  
Tubular Stainless Steel

**REINFORCING:** Formed Channel Fastened to  
Top. Legs Welded to Channel

##### STANDARD— STCF1-Series: 300 Series Stainless Top & 300 Series Stainless Undershelf

**TOP:** 16 GA.  
300 Series Stainless

**SHELF:** 18 GA.  
300 Series Stainless

**LEGS:** 1 5/8" Diameter  
Tubular Stainless Steel

**REINFORCING:** Formed Channel Fastened to  
Top. Legs Welded to Channel

##### HEAVY DUTY— HTCF1-Series: 300 Series Stainless Top & 300 Series Stainless Undershelf

**TOP:** 14 GA.  
300 Series Stainless

**SHELF:** 16 GA.  
300 Series Stainless

**LEGS:** 1 5/8" Diameter  
Tubular Stainless Steel

**REINFORCING:** Formed Channel Fastened to  
Top. Legs Welded to Channel

#### CONSTRUCTION:

- ◆ All Table Connection Points Fully Welded for Maximum Rigidity and Long Life
- ◆ Sound Deadening Between Top and Reinforcing Channel
- ◆ S/S Undershelf Welded to Legs
- ◆ Table is Polished to #3 Finish
- ◆ Working Height 36"
- ◆ Casters Rated at 250 Lbs each.

ECONOMY - ETCF1 - SERIES						
24" WIDE	QTY	30" WIDE	QTY	36" WIDE	QTY	LENGTH (INCHES)
ETCF1-2424		ETCF1-3024		ETCF1-3624		24
ETCF1-2430		ETCF1-3030		ETCF1-3630		30
ETCF1-2436		ETCF1-3036		ETCF1-3636		36
ETCF1-2442		ETCF1-3042		ETCF1-3642		42
ETCF1-2448		ETCF1-3048		ETCF1-3648		48
ETCF1-2454		ETCF1-3054		ETCF1-3654		54
ETCF1-2460		ETCF1-3060		ETCF1-3660		60
ETCF1-2466		ETCF1-3066		ETCF1-3666		66
ETCF1-2472		ETCF1-3072		ETCF1-3672		72
ETCF1-2478		ETCF1-3078		ETCF1-3678		78
ETCF1-2484		ETCF1-3084		ETCF1-3684		84
ETCF1-2490		ETCF1-3090		ETCF1-3690		90
ETCF1-2496		ETCF1-3096		ETCF1-3696		96
ETCF1-24102		ETCF1-30102		ETCF1-36102		102
ETCF1-24108		ETCF1-30108		ETCF1-36108		108
ETCF1-24114		ETCF1-30114		ETCF1-36114		114
ETCF1-24120		ETCF1-30120		ETCF1-36120		120

STANDARD - STCF1 - SERIES						
24" WIDE	QTY	30" WIDE	QTY	36" WIDE	QTY	LENGTH (INCHES)
STCF1-2424		STCF1-3024		STCF1-3624		24
STCF1-2430		STCF1-3030		STCF1-3630		30
STCF1-2436		STCF1-3036		STCF1-3636		36
STCF1-2442		STCF1-3042		STCF1-3642		42
STCF1-2448		STCF1-3048		STCF1-3648		48
STCF1-2454		STCF1-3054		STCF1-3654		54
STCF1-2460		STCF1-3060		STCF1-3660		60
STCF1-2466		STCF1-3066		STCF1-3666		66
STCF1-2472		STCF1-3072		STCF1-3672		72
STCF1-2478		STCF1-3078		STCF1-3678		78
STCF1-2484		STCF1-3084		STCF1-3684		84
STCF1-2490		STCF1-3090		STCF1-3690		90
STCF1-2496		STCF1-3096		STCF1-3696		96
STCF1-24102		STCF1-30102		STCF1-36102		102
STCF1-24108		STCF1-30108		STCF1-36108		108
STCF1-24114		STCF1-30114		STCF1-36114		114
STCF1-24120		STCF1-30120		STCF1-36120		120

HEAVY DUTY - HTCF1 - SERIES						
24" WIDE	QTY	30" WIDE	QTY	36" WIDE	QTY	LENGTH (INCHES)
HTCF1-2424		HTCF1-3024		HTCF1-3624		24
HTCF1-2430		HTCF1-3030		HTCF1-3630		30
HTCF1-2436		HTCF1-3036		HTCF1-3636		36
HTCF1-2442		HTCF1-3042		HTCF1-3642		42
HTCF1-2448		HTCF1-3048		HTCF1-3648		48
HTCF1-2454		HTCF1-3054		HTCF1-3654		54
HTCF1-2460		HTCF1-3060		HTCF1-3660		60
HTCF1-2466		HTCF1-3066		HTCF1-3666		66
HTCF1-2472		HTCF1-3072		HTCF1-3672		72
HTCF1-2478		HTCF1-3078		HTCF1-3678		78
HTCF1-2484		HTCF1-3084		HTCF1-3684		84
HTCF1-2490		HTCF1-3090		HTCF1-3690		90
HTCF1-2496		HTCF1-3096		HTCF1-3696		96
HTCF1-24102		HTCF1-30102		HTCF1-36102		102
HTCF1-24108		HTCF1-30108		HTCF1-36108		108
HTCF1-24114		HTCF1-30114		HTCF1-36114		114
HTCF1-24120		HTCF1-30120		HTCF1-36120		120

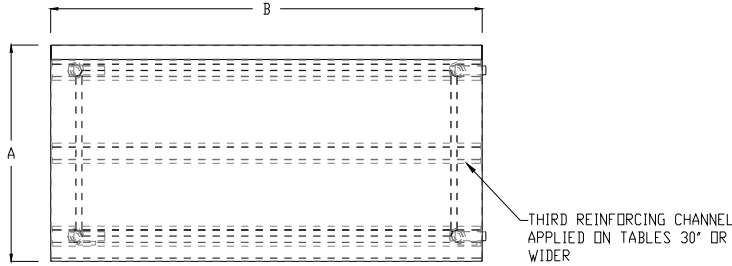


- Amtekco Industries - Columbus, OH —Phone: (800) 336-4677
- N. Wasserstrom & Sons - Columbus, OH —Phone: (800) 444-4697
- DCS IV - Peoria, AZ—Phone: (800) 592-3274
- GEN III - Fountain Inn, SC—Phone: (800)673-3339
- GKS - Garland, TX—Phone (972) 485-4579

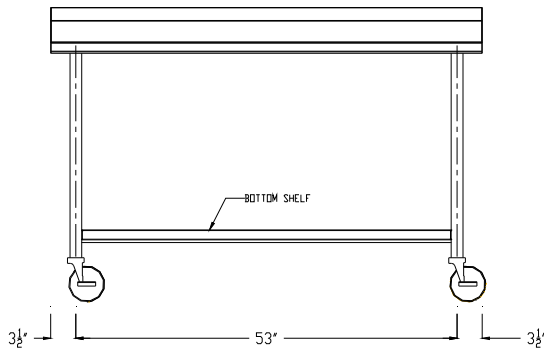
PROJECT#: \_\_\_\_\_

ITEM# \_\_\_\_\_

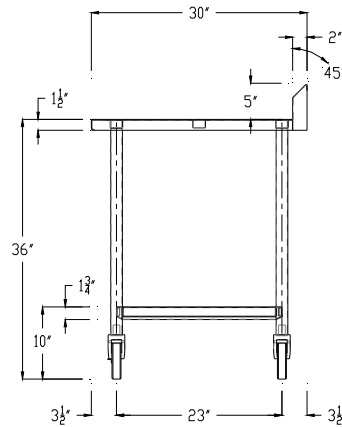
MODEL# \_\_\_\_\_



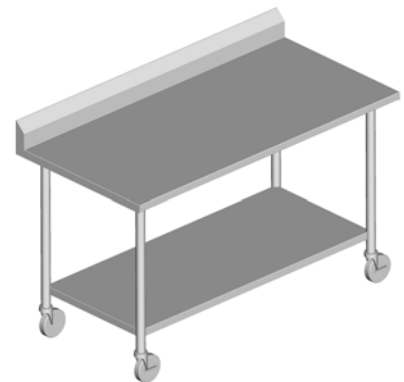
PLAN VIEW



ELEVATION



SIDE VIEW



◆ Tables At or Above 78" Will Require (3) Sets of Legs.

A WIDTH	B LENGTH	ETCF1 - SERIES 16 GA. 400 SERIES S/S TOP & 18 GA. 400 SERIES S/S UNDERSHELF	STCF1 - SERIES 16 GA. 300 SERIES S/S TOP & 18 GA. 300 SERIES S/S UNDERSHELF	HTCF1 - SERIES 14 GA. 300 SERIES S/S TOP & 16 GA. 300 SERIES S/S UNDERSHELF	#Of Legs	Product Weight (lbs)
<b>24" WIDE</b>						
24	24	ETCF1-2424	STCF1-2424	HTCF1-2424	4	42
24	30	ETCF1-2430	STCF1-2430	HTCF1-2430	4	45
24	36	ETCF1-2436	STCF1-2436	HTCF1-2436	4	50
24	48	ETCF1-2448	STCF1-2448	HTCF1-2448	4	61
24	60	ETCF1-2460	STCF1-2460	HTCF1-2460	4	71
24	72	ETCF1-2472	STCF1-2472	HTCF1-2472	4	82
24	84	ETCF1-2484	STCF1-2484	HTCF1-2484	6	94
24	96	ETCF1-2496	STCF1-2496	HTCF1-2496	6	114
24	108	ETCF1-24108	STCF1-24108	HTCF1-24108	6	131
24	120	ETCF1-24120	STCF1-24120	HTCF1-24120	6	148
<b>30" WIDE</b>						
30	24	ETCF1-3024	STCF1-3024	HTCF1-3024	4	45
30	30	ETCF1-3030	STCF1-3030	HTCF1-3030	4	49
30	36	ETCF1-3036	STCF1-3036	HTCF1-3036	4	52
30	48	ETCF1-3048	STCF1-3048	HTCF1-3048	4	68
30	60	ETCF1-3060	STCF1-3060	HTCF1-3060	4	79
30	72	ETCF1-3072	STCF1-3072	HTCF1-3072	4	92
30	84	ETCF1-3084	STCF1-3084	HTCF1-3084	6	105
30	96	ETCF1-3096	STCF1-3096	HTCF1-3096	6	126
30	108	ETCF1-30108	STCF1-30108	HTCF1-30108	6	146
30	120	ETCF1-30120	STCF1-30120	HTCF1-30120	6	165
<b>36" WIDE</b>						
36	24	ETCF1-3624	STCF1-3624	HTCF1-3624	4	47
36	30	ETCF1-3630	STCF1-3630	HTCF1-3630	4	55
36	36	ETCF1-3636	STCF1-3636	HTCF1-3636	4	64
36	48	ETCF1-3648	STCF1-3648	HTCF1-3648	4	75
36	60	ETCF1-3660	STCF1-3660	HTCF1-3660	4	88
36	72	ETCF1-3672	STCF1-3672	HTCF1-3672	4	104
36	84	ETCF1-3684	STCF1-3684	HTCF1-3684	6	120
36	96	ETCF1-3696	STCF1-3696	HTCF1-3696	6	139
36	108	ETCF1-36108	STCF1-36108	HTCF1-36108	6	164
36	120	ETCF1-36120	STCF1-36120	HTCF1-36120	6	188